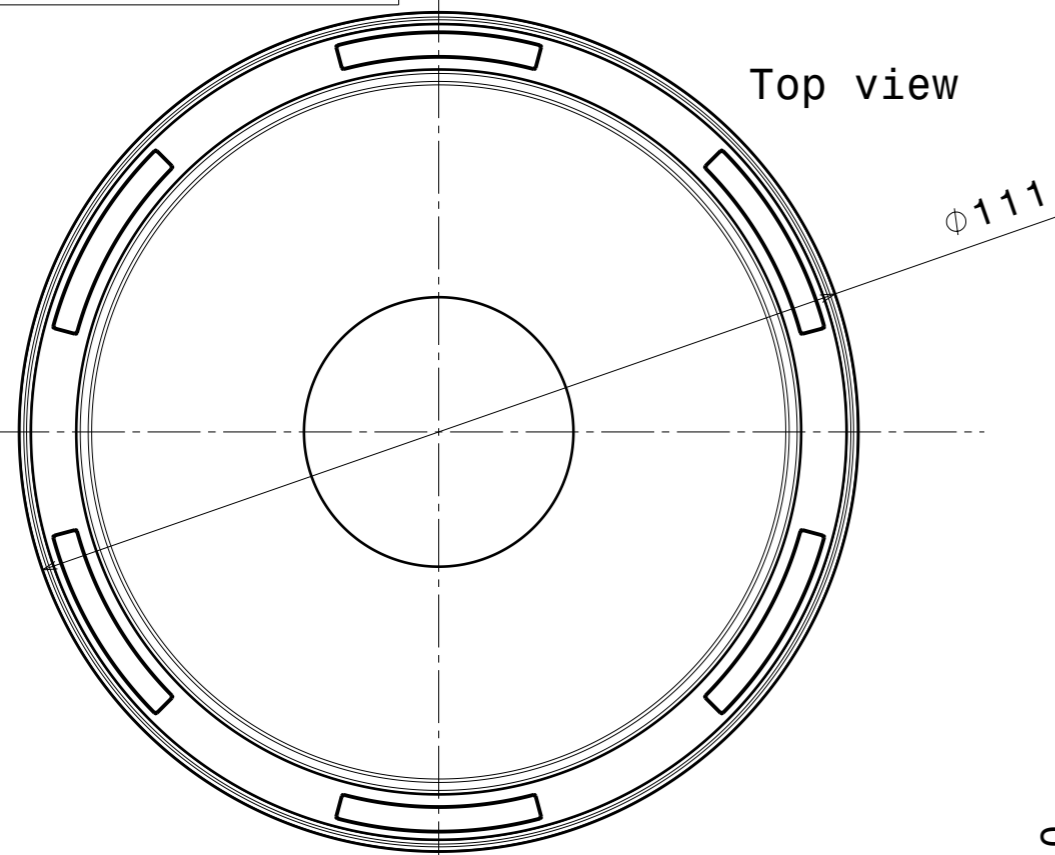
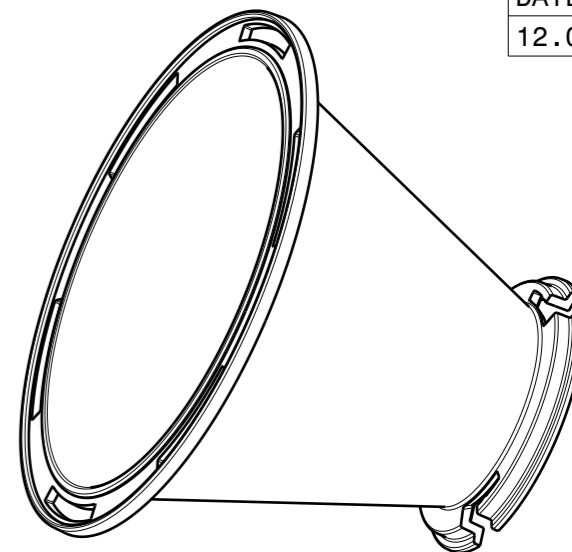


This drawing applies to:
 C11979_LENA-S
 C12154_LENA-M
 C11980_LENA-W

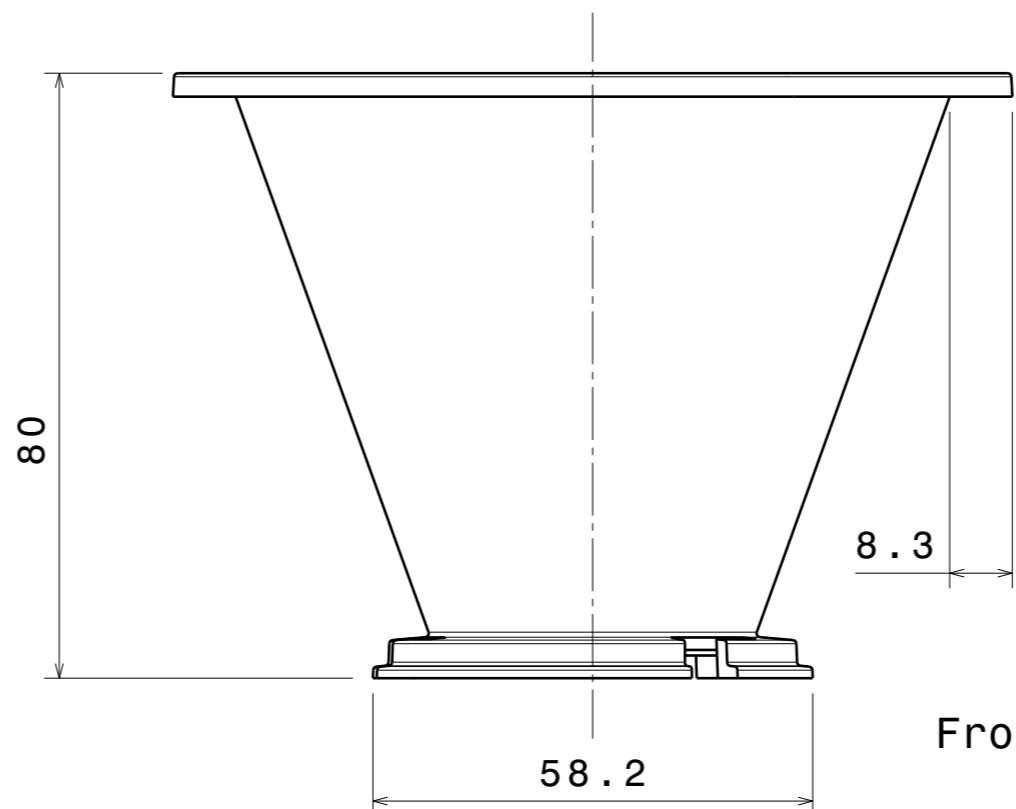
DATE
 12.02.2019



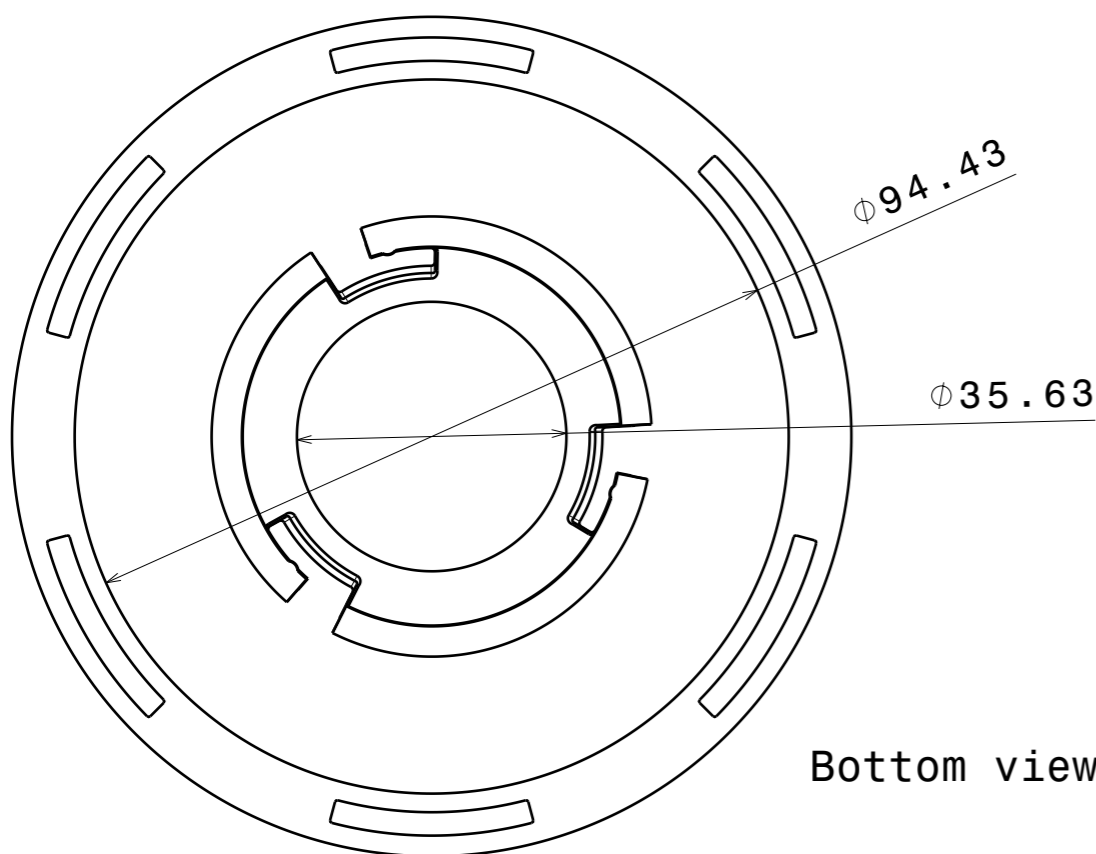
Top view



Isometric view

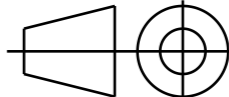


Front view



Bottom view

PART	TYPE	MATERIAL	COLOR / COATING
Lena S-M-W		PC	metal

MECHANICAL DRAWING		LEDiL [®]
PRODUCT	LENA Family Datasheet	
Plastic moulding general tolerances according to DIN 16901-130 and applies if not otherwise shown in the drawing. Silicone moulding general tolerances according to ISO 3302-1 Class M3 and applies if not otherwise shown in the drawing.	FIRST ANGLE PROJECTION: 	This drawing is the property of LEDiL Oy. It may not be copied or otherwise distributed without prior written permission from LEDiL Oy.
SCALE	1:1	WEIGHT -
		A3 SHEET 1/1